

Platypus Sprinkler Installation Diagrams

<i>Sprinkler pressure, flow and spacing</i>	2
<i>Rule of thumb guide for pipe sizing</i>	2
<i>Maximum number of sprinklers per line strainer</i>	2
<i>Recommended bracket spacing for pipework</i>	2
<i>Metal Fascia Mounting Diagram</i>	3
<i>Timber Fascia Mounting Diagram</i>	4
<i>Exposed Ridgeline and Hip Mounting Diagram</i>	5
<i>Hidden Backside Ridgeline and Hip Mounting Diagram</i>	6
<i>Concealed Ridgeline and Hip Mounting Diagram</i>	7-8
<i>Gable End Mounting Diagrams</i>	9
<i>Exposed Roof Mounted Sprinkler Diagram</i>	10
<i>Parapet Wall Mounting Options</i>	11
<i>Under Deck / Alfresco Mounting</i>	12

Platypus Fire Pty Ltd
makers of the



PLATYPUS[®]
CONTROLLER

and



PLATYPUS[®]
SPRINKLER

The Sensible Bushfire Protection System

Platypus Fire Pty Ltd makers of the



The Sensible Bushfire Protection System

Sprinkler pressure, flow and spacing

Nozzle sizes available	Maximum spacing between sprinkler heads	Nominal flow rate using our Flow Control Insert
2.5mm	3.5 metres	6 lpm
3.2mm	3.5 metres	9 lpm
4.0mm	4.0 metres	14 lpm

Maximum angle of sprinkler installation is 35° off vertical for effective operation.
 Recommended minimum operating pressure at pump is 500kpa.
 Optimum operating pressure at each sprinkler head is 300kpa.
 We recommend using our Flow Control Inserts to ensure optimum performance.

Rule of thumb guide for pipe sizing

Nozzle size	Max. number of sprinklers for 20mm copper	Max. number of sprinklers for 25mm copper	Max. number of sprinklers for 32mm copper	Max. number of sprinklers for 40mm copper
2.5mm	5	10	17	26
3.2mm	3	6	11	15
4.0mm	2	4	6	10

Maximum number of sprinklers per line strainer

	25mm	32mm	40mm	50mm
2.5mm sprinkler	10	15	25	35
3.2mm sprinkler	6	10	15	20
4.0mm sprinkler	4	6	10	15

Recommended bracket spacing for pipework

Copper tube	Vertical pipe	Horizontal pipe
15mm & 20mm	1.5 metres	1.0 metres
25mm	2.0 metres	1.5 metres
32mm & 40mm	2.5 metres	1.8 metres
50mm	3.0 metres	2.2 metres

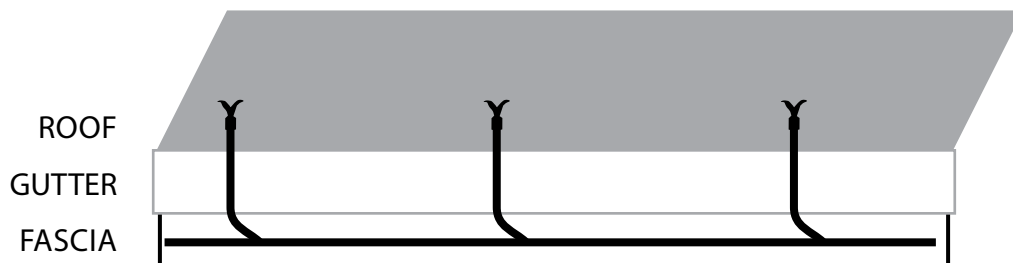
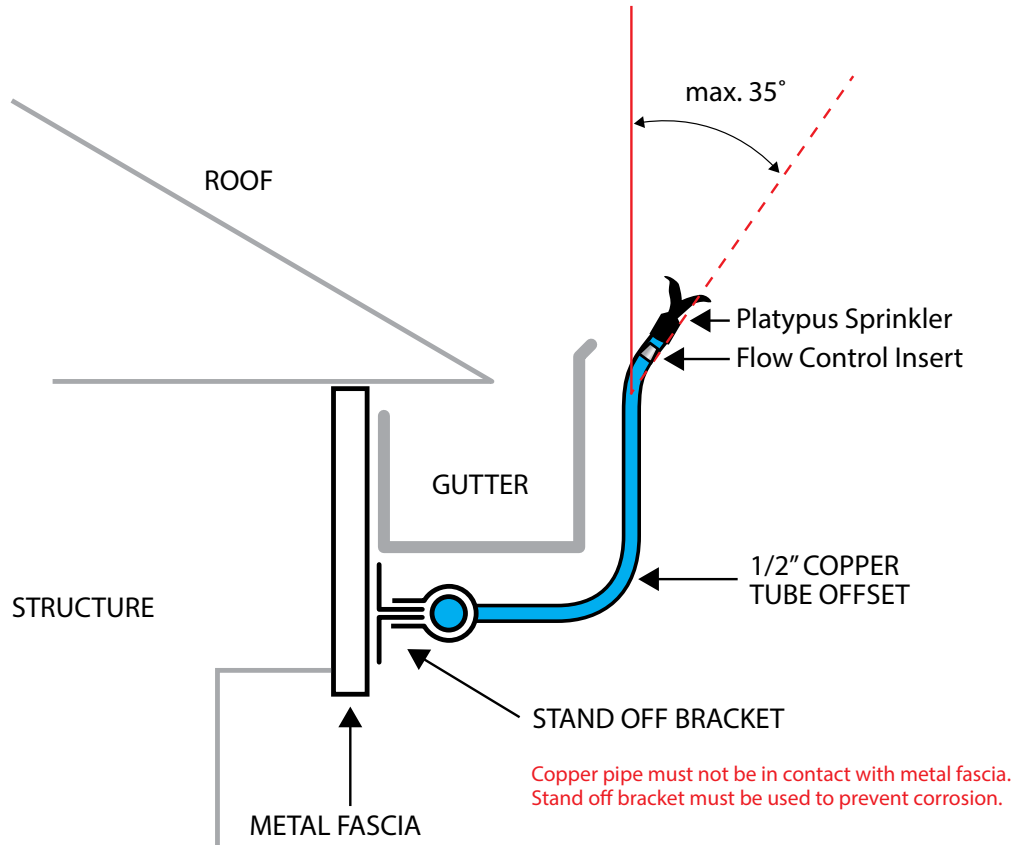
PVC Pipe	Vertical pipe	Horizontal pipe
20mm	1.4 metres	0.70 metres
25mm	1.5 metres	0.75 metres
32mm	1.7 metres	0.85 metres
40mm	1.8 metres	0.90 metres
50mm	2.1 metres	1.05 metres



PLATYPUS[®] SPRINKLER

*The Sensible Bushfire
Protection System*

Metal Fascia



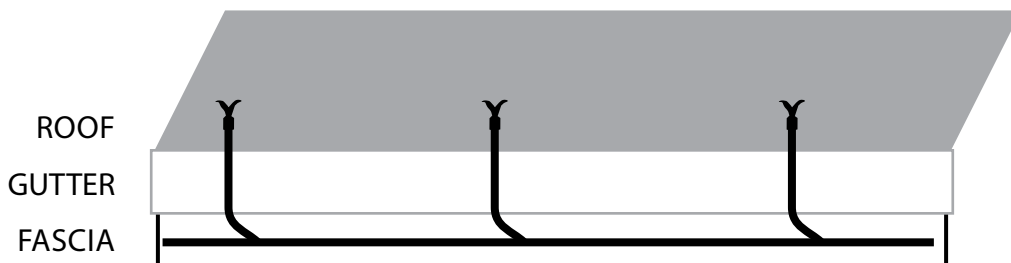
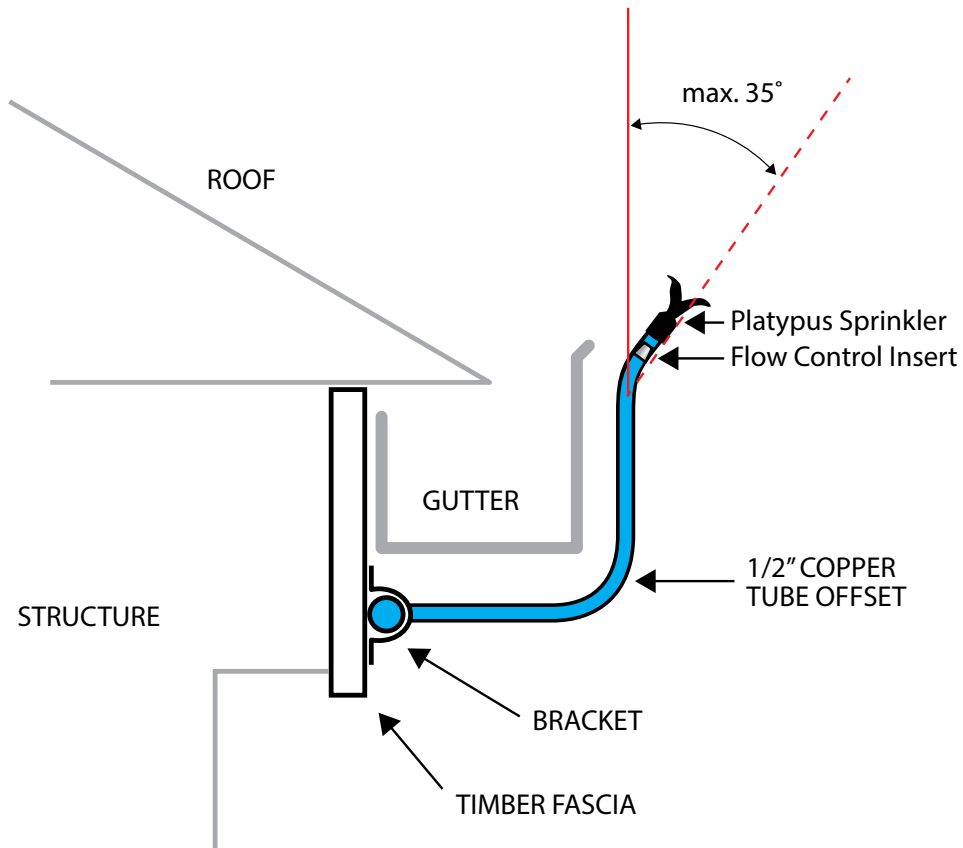
Platypus Fire Pty Ltd makers of the



PLATYPUS[®] SPRINKLER

*The Sensible Bushfire
Protection System*

Timber Fascia



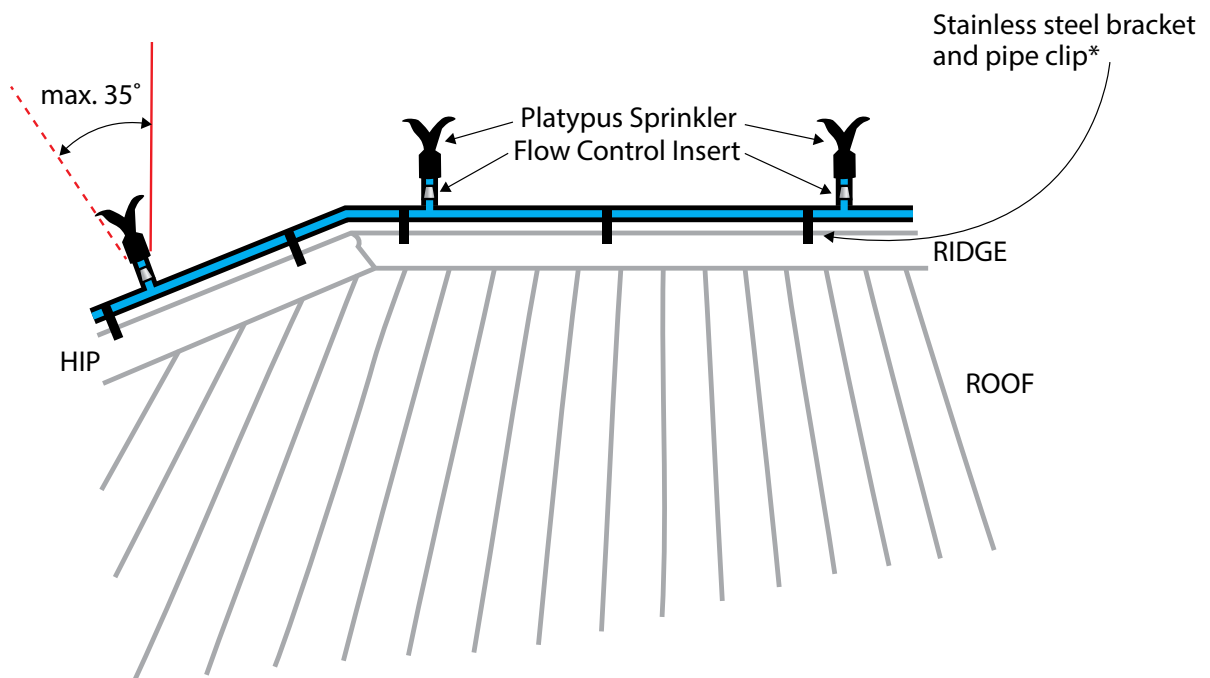
Platypus Fire Pty Ltd makers of the



PLATYPUS[®]
SPRINKLER

*The Sensible Bushfire
Protection System*

Ridgeline and Hip Exposed Mount



* Stainless steel bracket and pipe clip secured to metal roofing with tek screw and rubber seal.

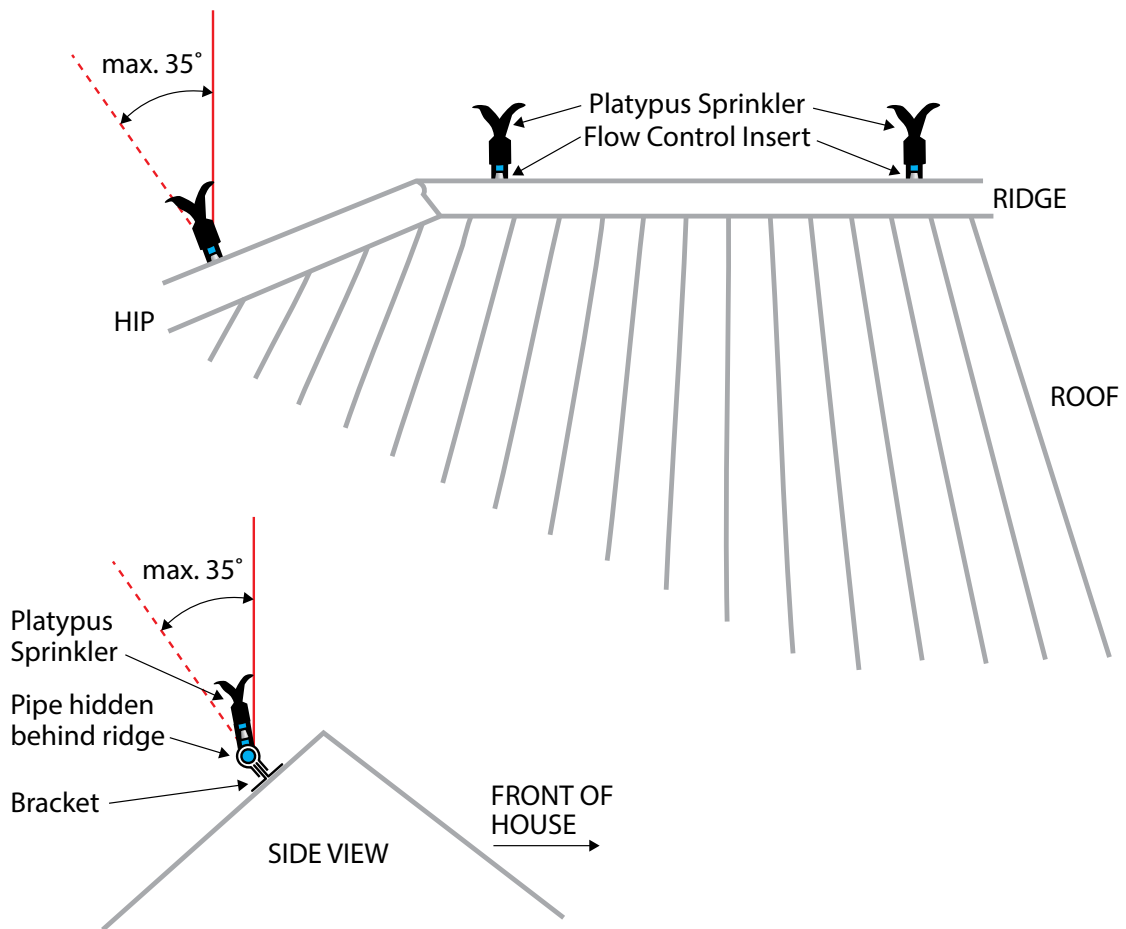
* Stainless steel bracket and pipe clip secured to tile roofing using SikaFlex 11IFC and Sika Primer.

Platypus Fire Pty Ltd makers of the



The Sensible Bushfire Protection System

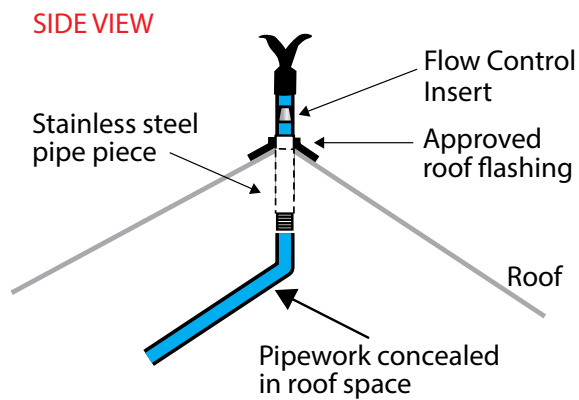
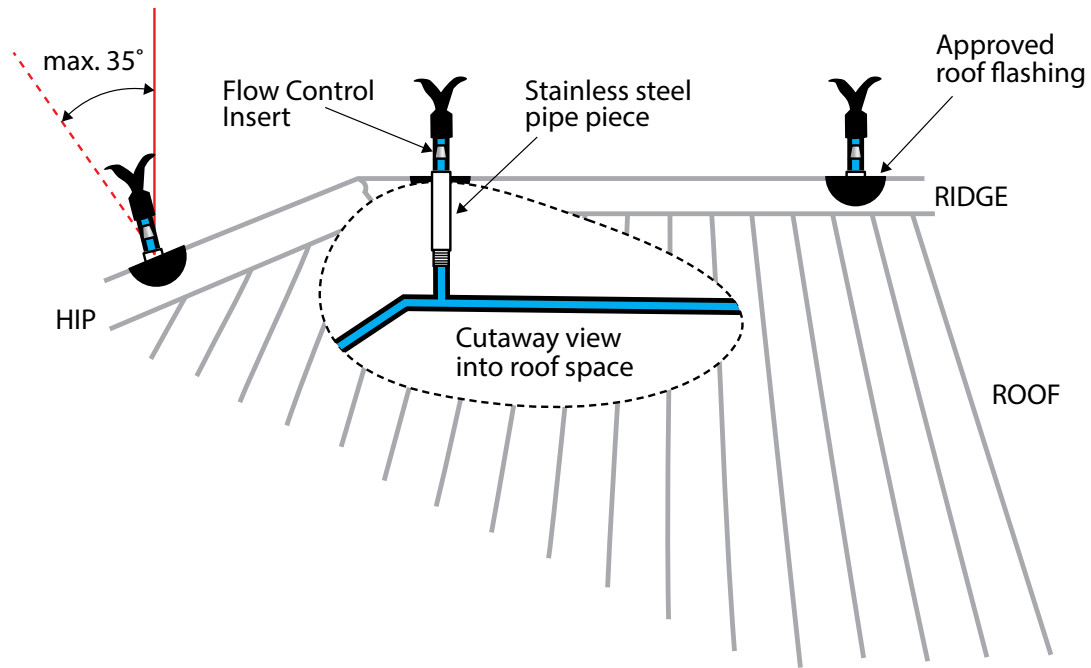
Ridgeline and Hip Backside Hidden Mount





The Sensible Bushfire Protection System

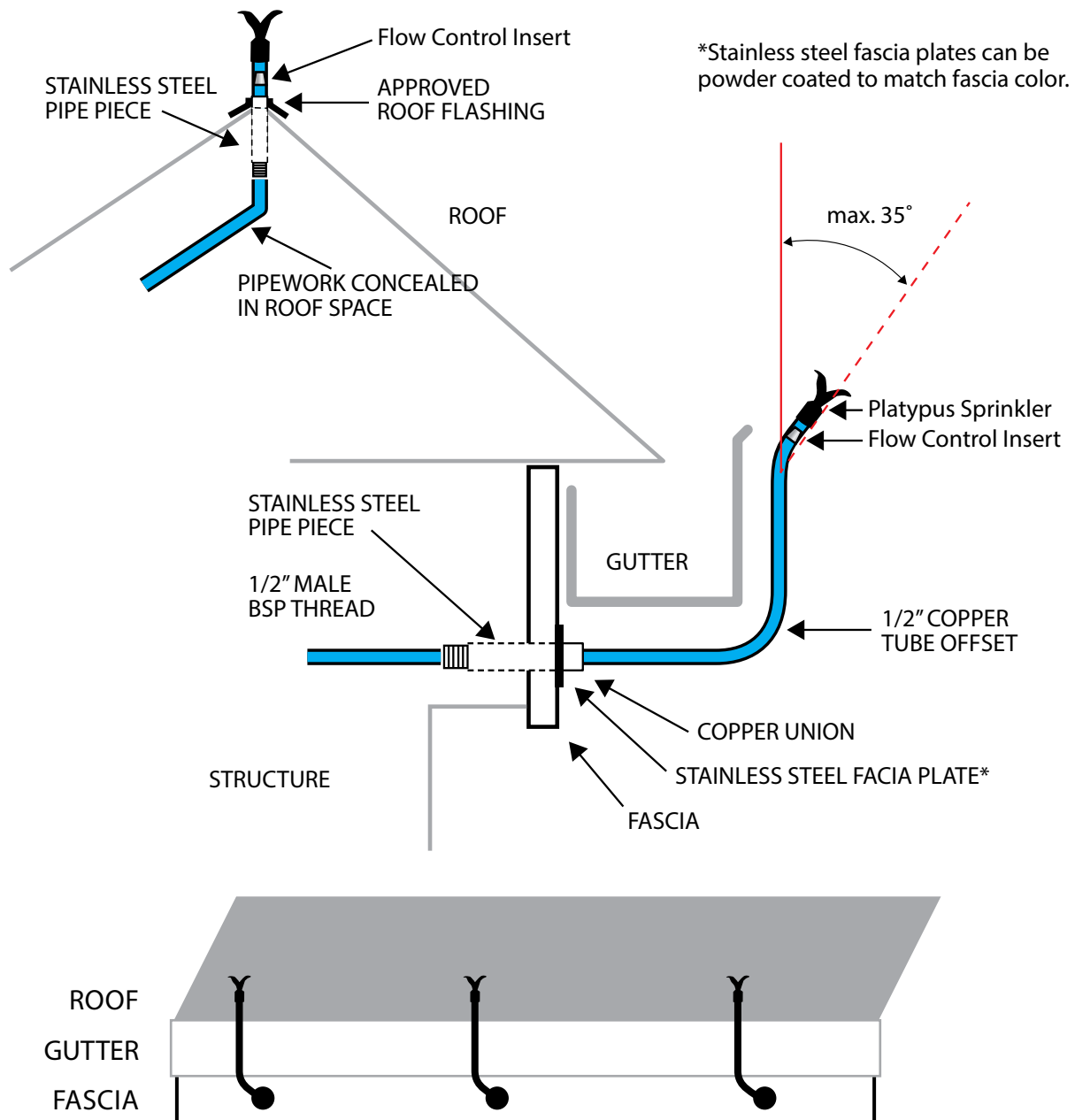
Ridgeline and Hip Concealed Mount (PART 1)





The Sensible Bushfire Protection System

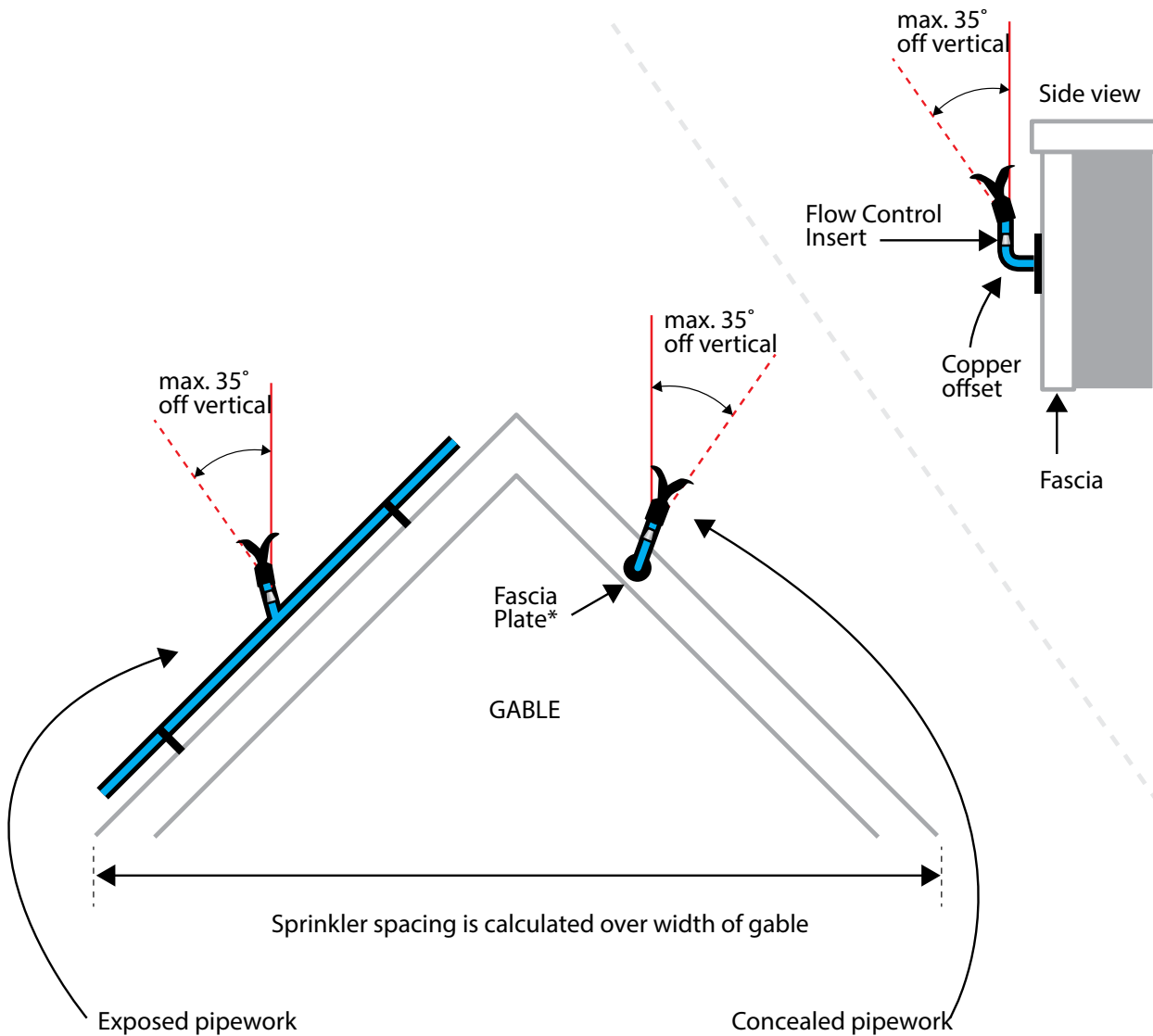
Ridgeline and Hip Concealed Mount (PART 2)





The Sensible Bushfire Protection System

Exposed and Concealed Gable End Diagrams



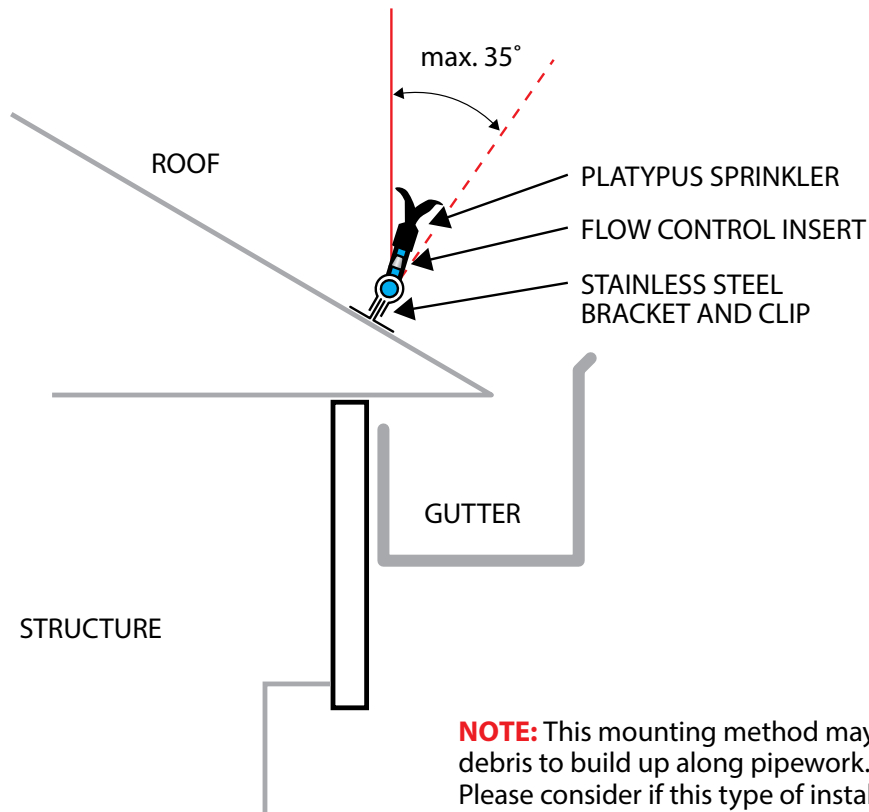
*Stainless steel fascia plates can be powder coated to match fascia color.



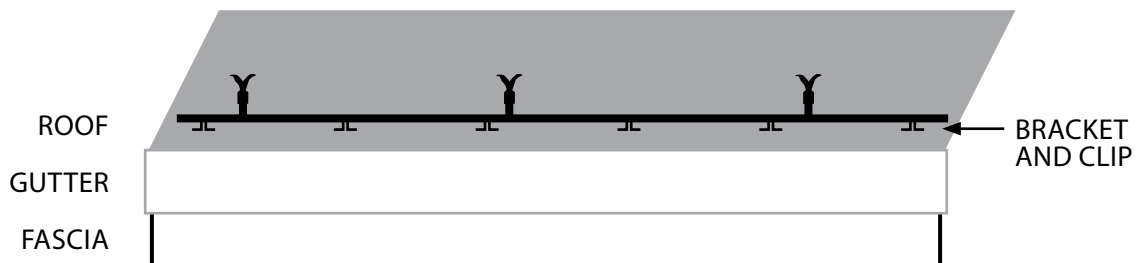
PLATYPUS[®] SPRINKLER

*The Sensible Bushfire
Protection System*

Roof Mounted Exposed Pipework

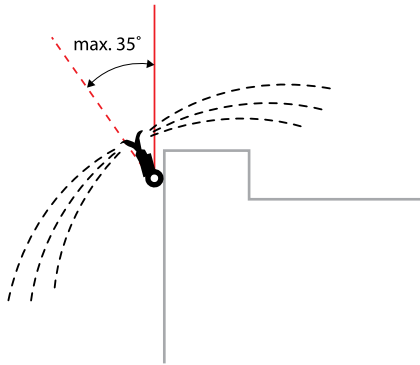


- * Stainless steel bracket and pipe clip secured to metal roofing with tek screw and rubber seal.
- * Stainless steel bracket and pipe clip secured to tile roofing using SikaFlex 11IFC and Sika Primer.



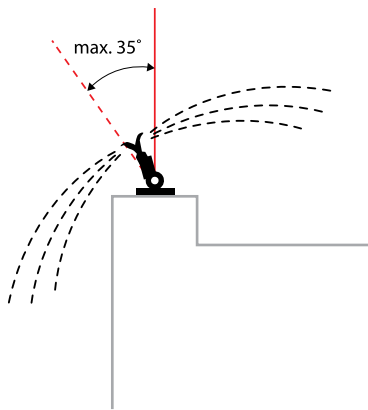


Parapet Wall Mounting Options



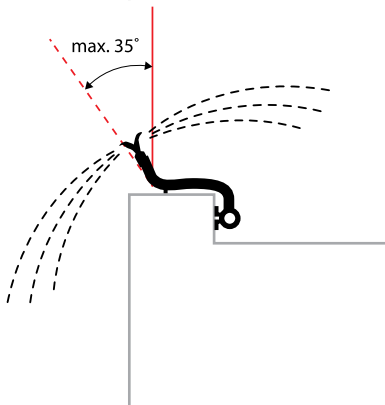
OPTION 1

- Pipework mounted at top of external wall



OPTION 2

- Pipework mounted on top of parapet



OPTION 3

- Pipework mounted using stand off bracket and clip head on inside of parapet and 15mm copper tube up to sprinkler

Note: The top of the sprinkler head needs to be mounted so that water sprays out and down the wall as well as spraying onto the roof.

Platypus Fire Pty Ltd makers of the



PLATYPUS[®]
SPRINKLER

*The Sensible Bushfire
Protection System*

Under Decking / Alfresco Mounting Diagrams

INVERTED MOUNTING

Sprinkler heads are mounted vertically when used upside down (inverted) for a decking or alfresco area.

